

INTRODUCTION TO YOUR NEW HAMILTON BEACH™ **WATER DISPENSER (Model 2312DC)**

Congratulations, you have acquired a high quality Hamilton Beach™ Water Dispenser for bottled water. This unit is packed with many extra features that you will find convenient to use. Multi-temperature capability allows you to enjoy a cool drink or a hot beverage. It will provide you with many years of trouble free use if you follow the safety precautions and operating instructions provided in this easy-to-use manual. Please take the time to read it, and save these instructions for future use. Please also remember to record the model and series code. They are on a label in back of the unit.

Model number

Series code

Date of purchase



READ ALL INSTRUCTIONS BEFORE USING!

IMPORTANT SAFEGUARDS

When using electrical appliances, basic safety precautions should be followed, including the following:

- **WARNING: BURN HAZARD.** The dispenser heats water to a temperature of approximately 190°F (88°C). Water temperatures above 125°F (52°C) can cause severe burns or death from scalding. Children, the disabled and the elderly are at highest risk of being scalded. Children should be supervised by an adult when using this product.
- **WARNING: CRUSH AND FALL HAZARD.** Do not allow children to climb, stand or hang on the outside of the dispenser, or on the shelves inside the storage cabinet. They could tip the dispenser over or fall and seriously injure themselves. Children should be supervised by an adult when using this product.
- **WARNING: FIRE HAZARD.** Do not store or use gasoline or other flammable vapors and liquids in the vicinity of this or any other appliance. Do not operate dispenser with a damaged cord. Do not use with an underrated extension cord.
- **WARNING: SHOCK HAZARD.** Unplug the water dispenser before cleaning or wiping up spilled water on unit. Do not attempt to service the dispenser. Do not operate dispenser with a damaged cord.
- **WARNING: TOXIC SUBSTANCE HAZARD.** Do not use with water that is microbiologically unsafe or of unknown quality. Do not dispense anything other than water of known quality.
- **CAUTION: SPOILED FOOD HAZARD.** The storage compartment in this unit is not a refrigerator. Do not store perishable food in compartment.

**DANGER: CHILD ENTRAPMENT HAZARD.
PROPERLY DISPOSE OF THE WATER DISPENSER AS
DIRECTED BELOW.**

Child entrapment and suffocation are not problems of the past. Junked or abandoned dispensers with storage areas are still dangerous...even if they will sit for “just a few days.” If you are getting rid of your old water dispenser, please follow these instructions to help prevent accidents.

**BEFORE YOU THROW AWAY YOUR
OLD DISPENSER:**

- Take off the doors and discard separately.
- Leave the shelves in place so that children may not easily climb inside.
- If the dispenser door has a lock, make it unusable.

REFRIGERANT DISPOSAL:

Your old water dispenser may have used a regulated refrigerant in its cooling system. These refrigerants are believed to harm stratospheric ozone. If you are throwing away your old dispenser, make sure the refrigerant is removed and recovered for proper disposal by an EPA-certified technician. If you intentionally release this refrigerant, you can be subject to fines and imprisonment under provisions of environmental legislation.



SAVE THESE INSTRUCTIONS!



PROPER INSTALLATION AND LOCATION

- 1) Dispenser is for indoor use only. Do not use outdoors.
- 2) To prevent algae growth, find a location for your dispenser that is protected from direct sunlight and other sources of heat (e.g., radiators, baseboard heaters, cooking appliances, etc). Do not use when relative humidity is greater than 90%.
- 3) Do not install the dispenser where the surrounding air temperature will be above 100°F (38°C) or below 50°F (10°C).
- 4) Place the dispenser on a level surface that can support its weight with a full water bottle on it.
- 5) To ensure that your water dispenser works at the maximum efficiency, leave at least 2 inches of clearance between all sides of the dispenser and any walls.
- 6) To prevent damage to dispenser, do not plug dispenser into the power outlet until reading the instructions first!



GROUNDING INSTRUCTIONS

WARNING – Improper use of the grounding plug can result in a risk of electric shock.

- This appliance must be grounded. In the event of an electrical short circuit, grounding reduces the risk of electric shock.
- This appliance is equipped with a power cord having a grounding wire with a grounding plug. The plug must be plugged into an outlet that is properly installed and grounded.
- Consult a qualified electrician if the grounding instructions are not completely understood, or if doubt exists as to whether the appliance is properly grounded.
- If the outlet is a standard 2-prong wall outlet, it is your personal responsibility and obligation to have it replaced with a properly grounded 3-prong wall outlet.
- Do not under any circumstances cut or remove the third (ground) prong from the power cord.
- Do not use an adapter plug with this appliance.
- Do not use an extension cord with this appliance. If the power cord is too short, have a qualified electrician install an outlet near the appliance
- For best operation, plug the appliance into its own electrical outlet on a dedicated circuit to prevent flickering of lights, blowing of fuse, or tripping of circuit breaker.

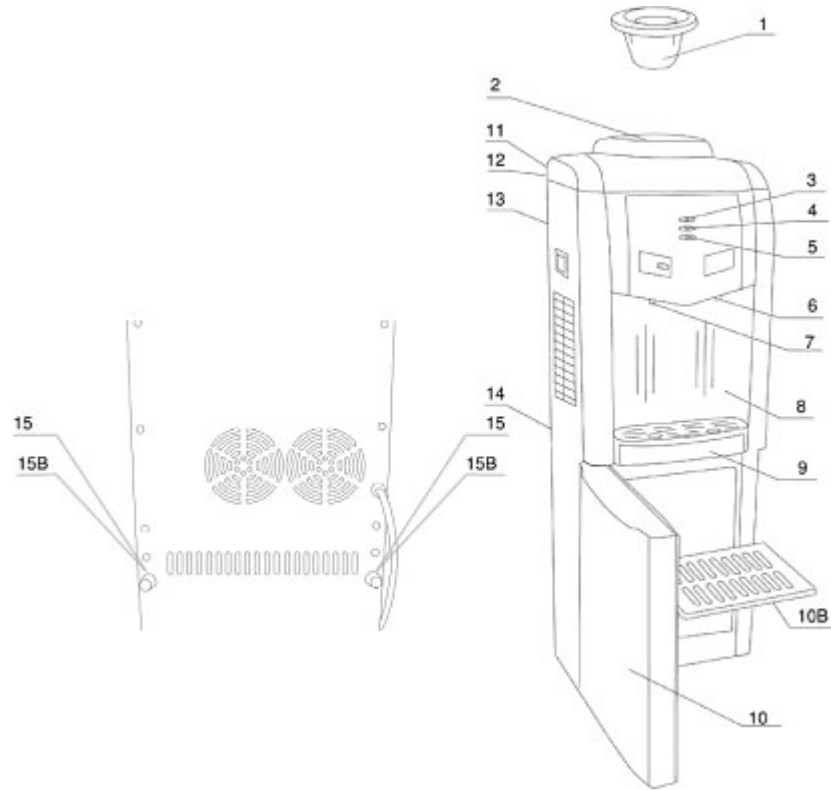
GETTING FAMILIAR WITH YOUR HAMILTON BEACH WATER DISPENSER



Features:

- Designed for in-home or office use.
- Front panel has three indicator lights; power indicator light will remain on at all times while hot and cold indicator lights will alternate on and off since the heater and cooler do not draw power continuously.
- Two power switches are located on the back of the dispenser. One is for cooling and one is for heating.
- Designed with distinctive thermal isolation technology, this dispenser can minimize thermal exchange between hot and cold water.
- Dual cooling chip system allows for a quiet, durable and high performance unit.
- Convenient, built-in, 0.50 cubic foot storage compartment for non-perishable items.
- There are two high-flow faucets on the front of the unit. The faucet with the red child-safety button is for hot water and blue is for cold water.
- Hot water faucet has a child resistant hot water guard. To operate it, push the red tab to the left to disengage the locking device, and then push the push button inward.
- Removable, easy-to-clean drip tray.
- The power cord has a grounded plug. Please make sure that your outlet is properly grounded.
- Rated power is 420W for heating and 100W for cooling
- Fits 3 or 5 gallon bottles

Parts Listing:



Part No.	Part Name	Part No. Shown on Diagram	Part No.	Part Name	Part No. Shown on Diagram
HB-BS-1003	Bottle Supporter/Collar	1	HB-DT-1012	Drip Tray	9
HB-CT-1005	Separator	2	HB-SD-1013	Storage Door	10
HB-GIL-1006	Green Indicator Light	3	HB-RS-1014	Removable Shelf	10B
HB-RIL-1007	Red Indicator Light	4	HB-HS-1015	Heating Switch	11
HB-BIL-1008	Blue Indicator Light	5	HB-CS-1016	Cooling Switch	12
HB-CWF-1009	Cold Water Faucet	6	HB-TH-1017	Thermostat (Do not touch)	13 (under panel)
HB-HWF-1010	Hot Water Faucet	7	HB-PC-1018	Power Cord	14
HB-CAS-1011	Casing	8	HB-DOC-1019	Drain Outlet Cap	15
			HB-SS-1020	Silicon Stopper	15B

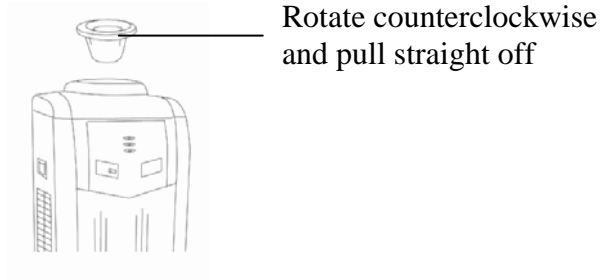
PREPARING, LOADING & OPERATING YOUR DISPENSER

- 1) Make sure that the dispenser is not plugged into the electrical outlet and that both the HEATING and COOLING power switches (on the back of the dispenser) are set to the **OFF** position.

NOTICE: To prevent leaking water due to damaged seals, do **NOT** turn **ON** the HEATING switch without water in the dispenser.

- 2) Sanitize the dispenser water tanks prior to installing a full bottle of water for the first time (see “Proper Care and Cleaning of Dispenser”).
- 3) The water bottle will have a cap. The cap may have a stopper that is intended to be pushed into the bottle. (Sometimes these stoppers are covered by a removable paper/foil seal.) If your bottle has a cap with a stopper, simply hold the water bottle vertically straight upside down and place the water bottle into the support collar on top of the water dispenser. The post in the collar will push the stopper into the bottle.

If the water bottle cap does not have a stopper that is intended to be pushed into the bottle, first remove the support collar of the water dispenser by turning it counterclockwise and pulling it straight up and off. Then remove the spill-resistant piercing valve from the support collar. Reinsert the support collar onto the water dispenser and turn it clockwise to lock back in place.

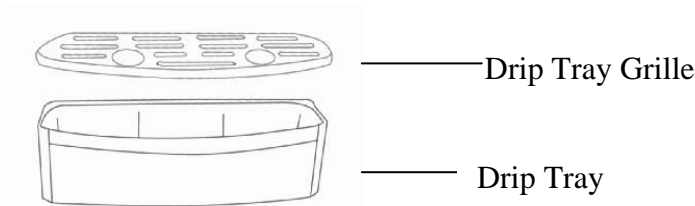


Remove the cap from the water bottle. Quickly lift the water bottle, turn it upside down, and place the water bottle onto the top of the water dispenser. Wipe up any water that spills on to the water dispenser or floor.

- 4) Wait 5 minutes and then plug in the unit into a grounded power outlet (see “Grounding Instructions”). Dispense 4 cups of water from each faucet.
- 5) Set the Heating and Cooling power switches (located on the rear of the dispenser) to the **ON** position. Indicators light up accordingly once the dispenser is functioning.
- 6) **Allow 4 hours for water to reach hot and cold temperatures.**

WARNING: BURN HAZARD. The dispenser heats water to a temperature of approximately 190°F (88°C). Water temperatures above 125°F (52°C) can cause severe burns or death from scalding. Children, the disabled and the elderly are at highest risk of being scalded. Children should be supervised by an adult when using this product.

- 7) The hot water temperature is preset to 190°F (88°C). The hot faucet is equipped with a child water guard that reduces the risk of hot water being dispensed accidentally or by small children.
- 8) When bottle is empty, vertically pull it out by two hands, and then replace it with another bottle.
- 9) The spilled water in the drip tray must be removed regularly and cleaned properly. To remove it, slide tray out.



- 10) In case hot or cold water is not needed for an extended period of time, turn off the switches accordingly to save power.

PROPER CARE AND CLEANING OF DISPENSER

WARNING: SHOCK HAZARD. Unplug the water dispenser before cleaning.

Cleaning the Outside and Storage Compartment:

IMPORTANT: Set both power switches (on the back of the dispenser) to the **OFF** position and unplug the water dispenser before cleaning.

The inside and outside of the cabinet can be washed with mild soap and water. Rinse thoroughly with clear water. Never use commercial cleaners or abrasive scouring powders.

Cleaning the Inside of the Storage Compartment:

For prevention of odor, place an open box of baking soda in the storage compartment.

IMPORTANT: Set both power switches (on the back of the dispenser) to the **OFF** position and unplug the water dispenser before cleaning.

Use a solution of warm water and baking soda (approximately one tablespoon of baking soda to one quart of water). This will clean and neutralize odors. Then rinse and wipe dry.

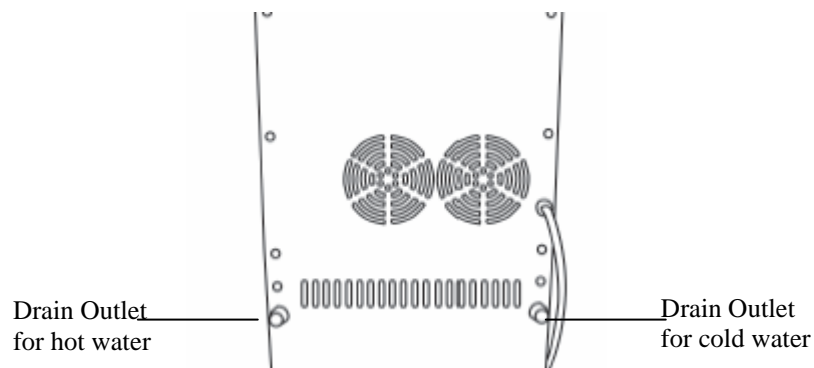
Other parts of the storage compartment including door gaskets and plastic parts can be cleaned in the same manner.

NOTICE: To prevent damage to the water dispenser, the plastic storage parts are not to be washed in the dishwasher.

Draining Instruction:

The dispenser should be drained before cleaning the tanks and before leaving for long vacations or absences.

- 1) Set both power switches (on the back of the dispenser) to the **OFF** position and unplug the dispenser.
- 2) Dispense water from both buttons into container(s) until no more water can be dispensed (about 1 quart of water still remains in the dispenser). Put a container that will withstand hot water under the hot water faucet.
- 3) Remove the water bottle from the dispenser.
- 4) Place a large bucket beneath the drain outlets on the rear of the dispenser.
- 5) Remove the caps and silicon stoppers from the drain outlets and allow water to drain.



WARNING: BURN HAZARD. The dispenser heats water to a temperature of approximately 190°F (88°C). Water temperatures above 125 ° F (52 °C) can cause severe burns or death from scalding. There are two Drain outlet caps. The left hand side's drain outlet is to drain hot water and the right hand side's is to drain cold water. Children, the disabled and the elderly are at highest risk of being scalded. Children should be supervised by an adult when using this product.

After draining, replace the silicon stoppers and caps.

- 6) Make sure to install a full bottle and dispense water from both water faucets before plugging in and turning on the dispenser (see Preparing, Loading and Operating Your Dispenser).

Cleaning the Drip Tray and Grill:

The drip tray is not self-draining. To reduce water spotting or deposits, the tray and its grill should be emptied, cleaned and wiped dry regularly. Clean with mild soap or on the top rack in the dishwasher.

Sanitizing and Cleaning the Water Tanks:

Important: Periodically the water dispenser tanks must be sanitized to prevent unpleasant tastes in the water and cleaned to remove mineral deposits that can impair flow.

To Sanitize:

Important: Before cleaning, set both power switches (on the back of the dispenser) to the **OFF** position and **unplug the water dispenser**. **Note:** For first time installation, skip next three steps.

- 1) Empty the water bottle, and then remove it from the dispenser.
- 2) Drain the water tanks (see Draining Instructions).
- 3) Reinstall the silicon stopper and drain cap (see Draining Instructions).
- 4) **DO NOT ADD BLEACH FIRST OR DIRECTLY TO THE DISPENSER.**
Concentrated bleach may damage plastic.
- 5) Add ½ teaspoon (2.5 ml) of ordinary 6.0% maximum household bleach to a 2 quart (2 liter) pitcher filled with tap water.

- 6) Pour the solution in the opening at the top of the dispenser.
- 7) Repeat last two steps until the dispenser is full.
- 8) Press the hot and cold dispenser buttons until the water just begins to flow from the faucets.
- 9) Allow to sit for 15-20 minutes.
- 10) **Rinse out the bleach solution.**
- 11) Drain the water tanks into a large bucket (see Draining Instruction).
- 12) Make sure that silicon stoppers and drain caps are **NOT** installed.
- 13) Clean, and then reinstall the collar.
- 14) Pour approximately 1 gallon (4 quarts or 4 liters) of fresh tap water into the top and allow draining into the bucket.
- 15) Flush with an additional 1 gallon (4 quarts or 4 liters) of fresh tap water and allow draining into the bucket.
- 16) **Reinstall silicon stoppers and drain caps** (see Draining Instructions).
- 17) Install a fresh water bottle (see Preparing and Loading Your Dispenser for Use).
- 18) Plug in the dispenser. Then turn on the hot and cold power switches (on the back of the dispenser).
- 19) Dispense 1 quart (1 liter) of water from each faucet and taste to make sure the bleach solution is completely removed.
- 20) If you continue to taste the chlorine from the bleach solution, **repeat steps 11 – 20** until the taste is gone.

To Remove Mineral Deposits:

Mix 2 quarts (2 liters) of water with two quarts of vinegar **OR** mix 1 gallon of water (4 liters) with 16 ounces (454 g) of citric acid crystals. Bleach does not remove mineral deposits. Do this in place of step 6 above when removing mineral deposits.

Preparing for Vacation:

For long vacations or absences, set both power switches (on back of the dispenser) to the **OFF** position.

Unplug the water dispenser.

Remove the water bottle.

Drain the water tanks (see Draining Instructions)

After returning from vacation, make sure to sanitize the water tanks before using the dispenser (see Sanitizing and Cleaning the Water Tank).

TROUBLE SHOOTING

PROBLEM	POSSIBLE CAUSES	SOLUTION
No hot or cold water	<ol style="list-style-type: none"> 1. Over consumption of hot or cold water in short period of time 2. No power supply 	<ol style="list-style-type: none"> 1. Wait 30 minutes before using again 2. Connect plug to socket, turn on heating or cooling switch.
Water is not cool	<ol style="list-style-type: none"> 1. Dispenser is unplugged 2. Cooling switch not on 3. Allow 4 hours for water to reach cold temperatures. 4. The fuse is blown/circuit breaker is tripped 5. Temperature limiter tripped 	<ol style="list-style-type: none"> 1. Push plug completely into Outlet. 2. Check to be sure cooling switch is turned to ON 4a. Replace house fuse or reset circuit breaker. 4b. If too many items are plugged into a single circuit, move some items to a different circuit 5. Set the hot and cold power switches to OFF position. Wait 30 minutes, then set switches to ON position. Wait 30 minutes for water to heat or cool.
Water is not hot	<ol style="list-style-type: none"> 1. Dispenser is unplugged. 2. Heating switch not on. 3. The fuse is blown/circuit breaker is tripped 	<ol style="list-style-type: none"> 1. Push plug completely into outlet 2. Check to be sure heating switch is turned to ON 3a. Replace house fuse or reset circuit breaker. 3b. If too many items are plugged into a single circuit, move some items to a different circuit
No water running out from faucets	<ol style="list-style-type: none"> 1. Empty bottle 2. Inlet of bottle supporter blocked by bottle seal 3. Dispense 4 cups of water from each faucet. 	<ol style="list-style-type: none"> 1. Replace with new bottle. 2. Clean out wasted paper and bottle seal, install the bottle again.

PROBLEM	POSSIBLE CAUSES	SOLUTION
Water dispenser does not work	<ol style="list-style-type: none"> 1. Empty water bottle 2. Mineral deposits clogging tank 	<ol style="list-style-type: none"> 1. Replace with new bottle 2. See Care and Cleaning.
Water dispenser leaks from the outside	Crack or pin hole in bottle	Replace with new bottle
Noisy operation	<ol style="list-style-type: none"> 1. Improper installation 2. Bottle making a gurgling noise 3. Hot water boiling sound 4. Fan noise 	<ol style="list-style-type: none"> 1. Place the machine on level Surface 2. This is normal 3. This is normal 4. This is normal
Particles floating in Water	Water has high mineral content	Find a water source with lower hardness
Water in bottle is hot	Water is boiling in the hot tank and bubbling up into the bottle	Press the hot dispenser button until water flows to remove air from the hot
Foul odor in air around dispenser	Hot water tank is empty or not completely full	press the hot dispenser button until water flows to remove air from the hot tank
Water has poor taste or odor	<ol style="list-style-type: none"> 1. Tanks need to be cleaned. 2. Unit needs to be sanitized 	<ol style="list-style-type: none"> 1. See <u>Cleaning and Sanitizing the Water Tanks</u>. 2. <u>See To Sanitize</u>.

Consumer Support

Questions? How to contact us: Telephone 800-488-5080 (Monday – Friday 8:00AM-5:00 PM ET)

E-mail: sales@hbwaterdispensers.com

support@hbwaterdispensers.com

LIMITED 1-YEAR WARRANTY

What does this warranty cover?

- Any defect in materials or workmanship in the manufactured product

What does this warranty not cover?

- Water Bottles
 - Service trips to your home to teach you how to use the product.
 - Improper installation.
 - Failure of the product if it is abused, misused, altered or used for other than the intended purpose.
 - Products that are used outside a residential or office areas
 - Replacement of house fuses or resetting of circuit breakers.
 - Use of this product where water is microbiologically unsafe or of unknown quality.
 - Damage to the product if used to dispense anything other than water.
 - Damage to the product caused by accident, fire, floods or acts of God.
 - Any service to the product
 - **Incidental or consequential damage caused by possible defects with this appliance, its installation or repair.**
- For how long after the original purchase?
- One (1) year.

How do I make a warranty claim?

- Return to the retailer from which it was purchased, along with a copy of the store receipt. A new or reconditioned unit will be provided. This warranty excludes the cost of shipping the product to your home.

How does state law relate to this warranty?

- This warranty is extended to the original purchaser and any succeeding owner for products purchased for home or office use within the USA. **Some states do not allow the exclusion or limitation of incidental or consequential damages. This warranty gives you specific legal rights, and you may also have other rights which vary from state to state. To know what your legal rights are, consult your local or state consumer affairs office or your state's Attorney General.**

Exclusion of implied warranties: Except where prohibited or restricted by law, there are no warranties, whether express, oral or statutory which extend beyond the description on the face hereof, including specifically the implied warranties of merchantability or fitness for a particular purpose.

Warrantor: TTI Appliances, Los Angeles, CA 90025
